

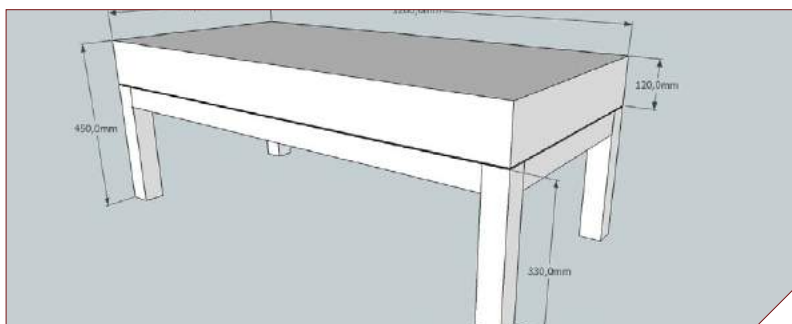
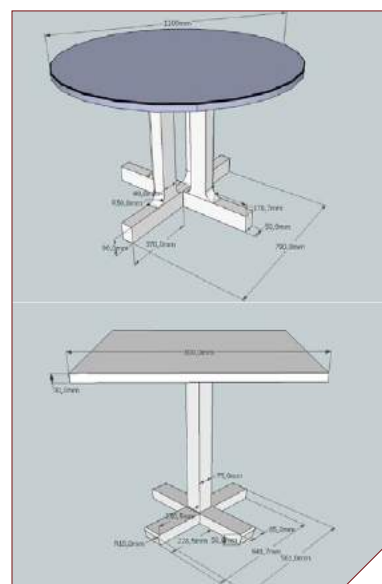
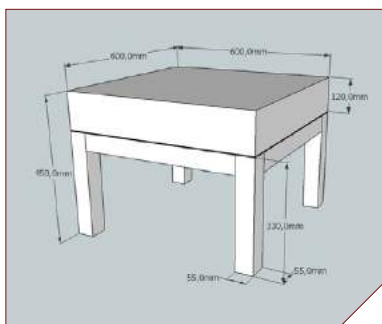


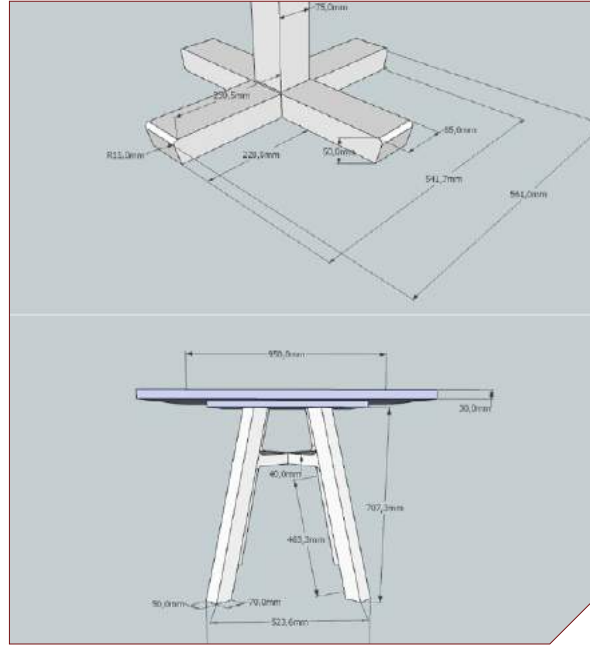
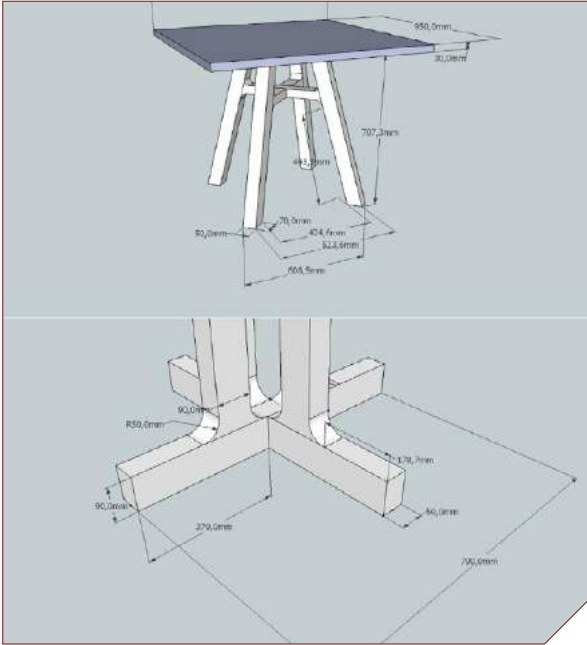
# Bespoke

**HCI can provide a bespoke design and manufacture service, to enable the perfect match, style and size of furniture that will fit perfectly in to any location.**

# Bespoke Design to Manufacture

Turn your ideas into reality, and commission HCI to create your perfect, bespoke piece. Our in-house designers will create CAD drawings for your approval prior to a production sample. Once approved, we will then put your full order into production.









# Furniture Personalisation

Make your chair completely unique and have your logo embroidered on to the front or back of your chair to create the perfect finish.





